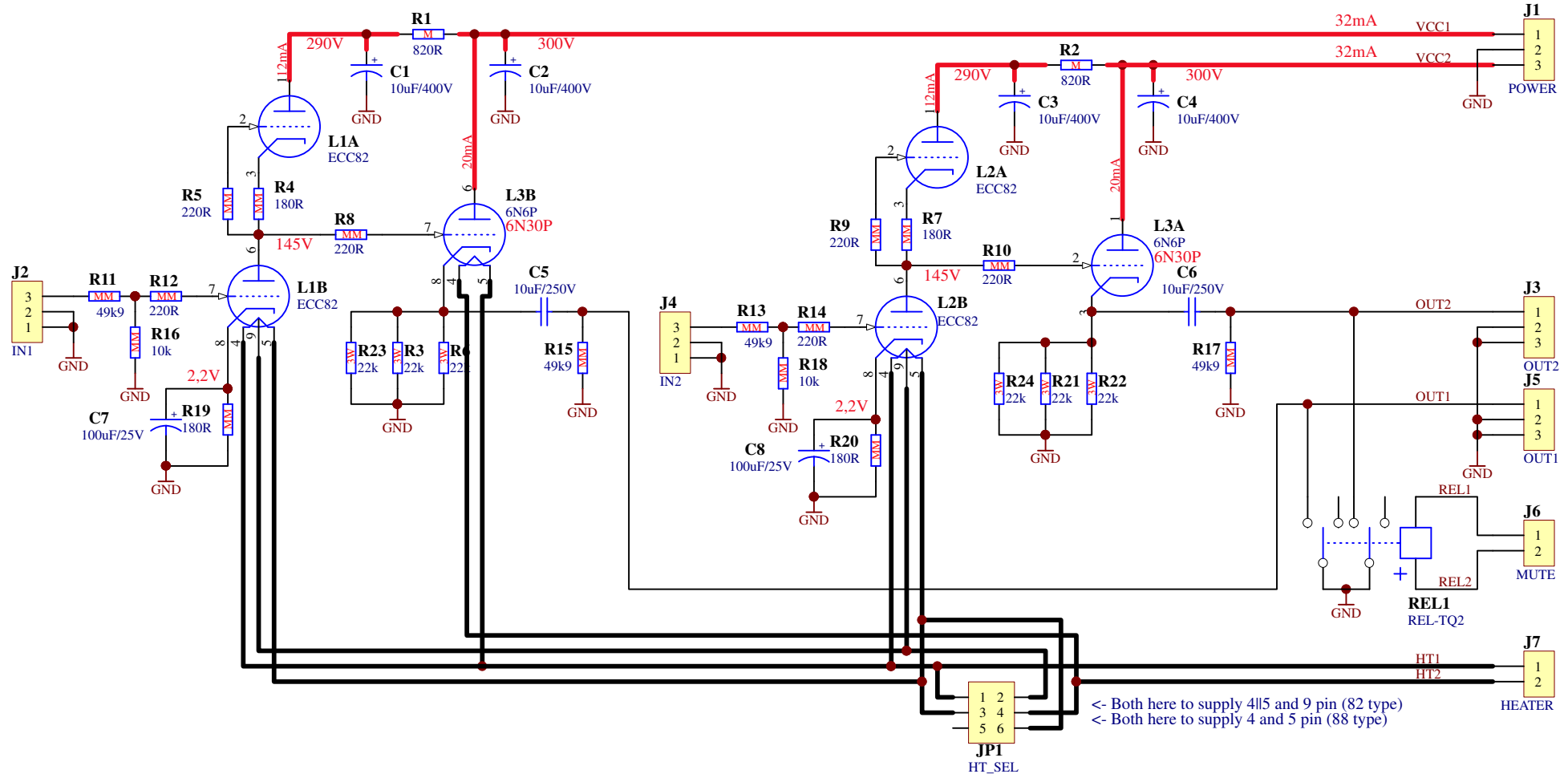


# Maxi Tube Preamplifier V4.1

by Konrad Siemientkowski



<- Both here to supply 4#5 and 9 pin (82 type)  
 <- Both here to supply 4 and 5 pin (88 type)

DIY use only. Commercial use without permission is prohibited.  
 MuzgAUDIO Konrad Siemientkowski. All right reserved.  
[www.muzgaudio.com](http://www.muzgaudio.com)  
[muzgaudio@muzgaudio.com](mailto:muzgaudio@muzgaudio.com)

Title		
Size	Number	Revision
A4		
Date:	2020-03-23	Sheet of
File:	D:\Projekty_Altium\Preamp_lampowy	14x14 SchDoc