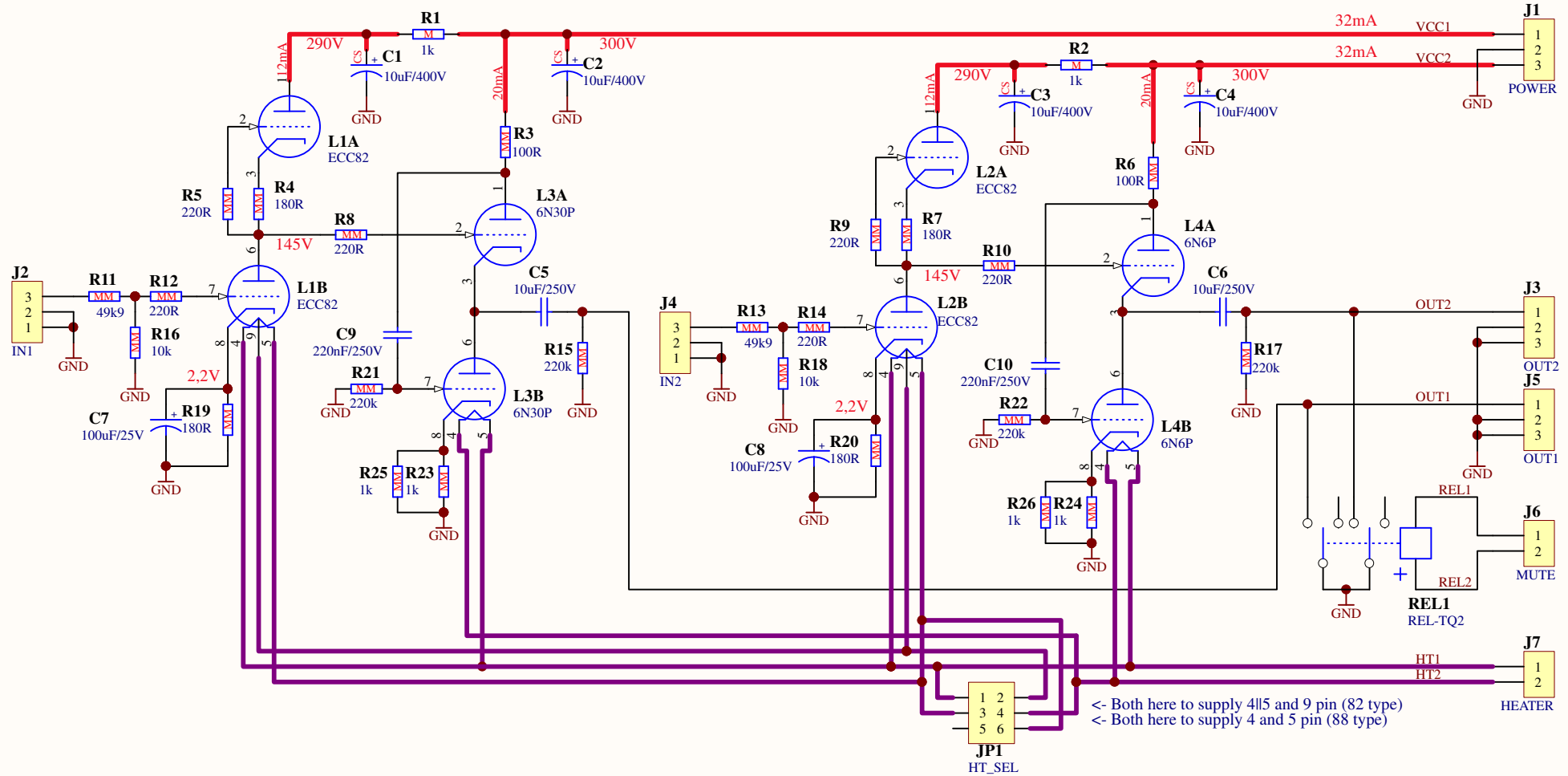


# Mega Tube Preamplifier V5

by Konrad Siemientkowski



R26&R4, R23&R25:  
 2 x 470R - 6N6P - 20mA  
 2 x 820R - 6N30P - 20mA  
 2 x 1k - 6N30P - 16mA

DIY use only. Commercial use without permission is prohibited.  
 MuzgAUDIO Konrad Siemientkowski. All right reserved.  
[www.muzgaudio.com](http://www.muzgaudio.com)  
[muzgaudio@muzgaudio.com](mailto:muzgaudio@muzgaudio.com)

Title		
Size	Number	Revision
A4		
Date:	2020-03-23	Sheet of
File:	D:\Projekty_Altium\Preamp_lampowy	drawn by SchDoc

<- Both here to supply 4ll5 and 9 pin (82 type)  
 <- Both here to supply 4 and 5 pin (88 type)